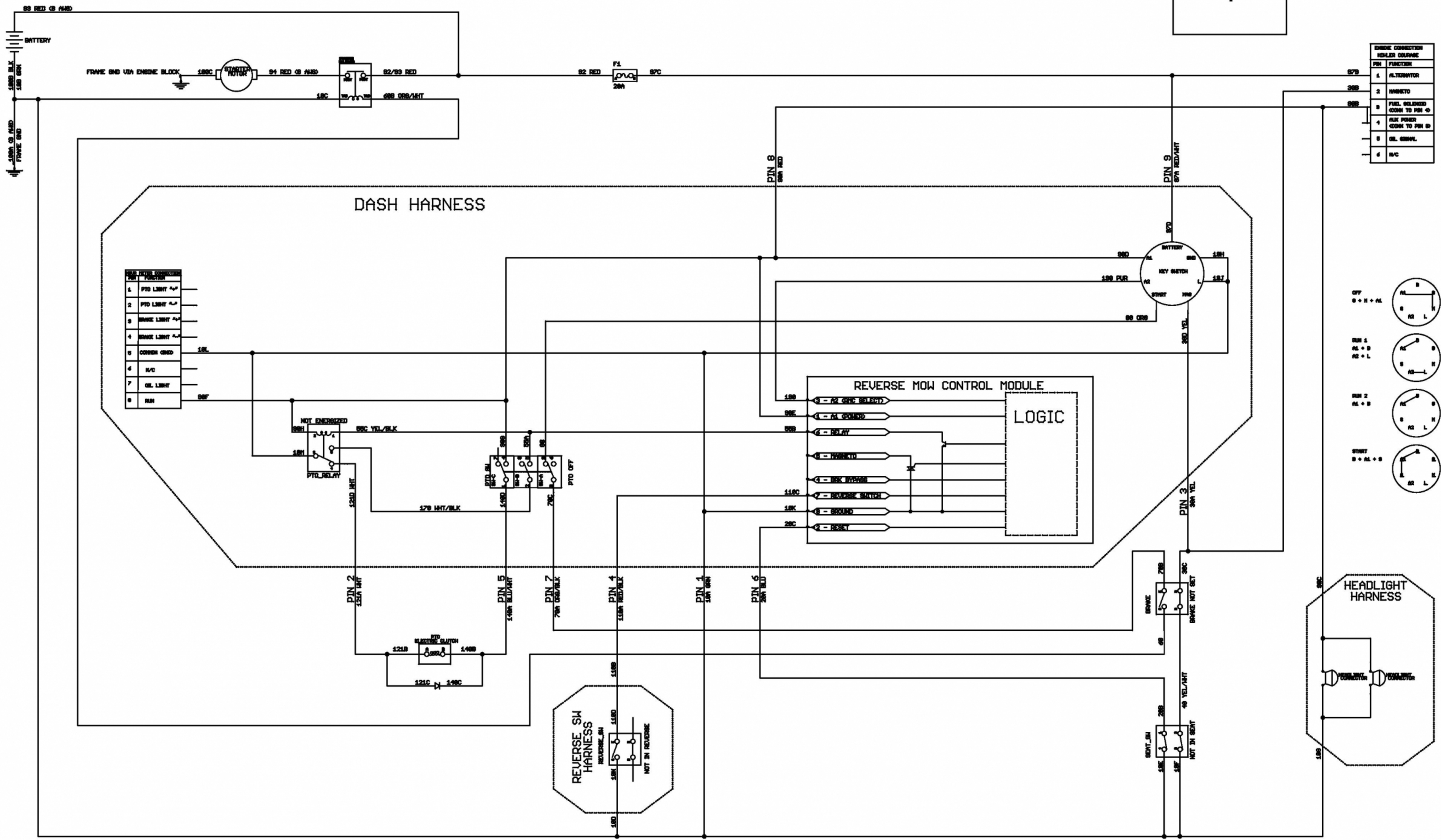


7



ENGINE CONNECTION HARNESS COLOURS	
PIN	FUNCTION
1	ALTERNATOR
2	INJECTOR
3	FUEL VALVE/SOL
4	FUEL PUMP
5	REL. SW/VAL
6	I/C

