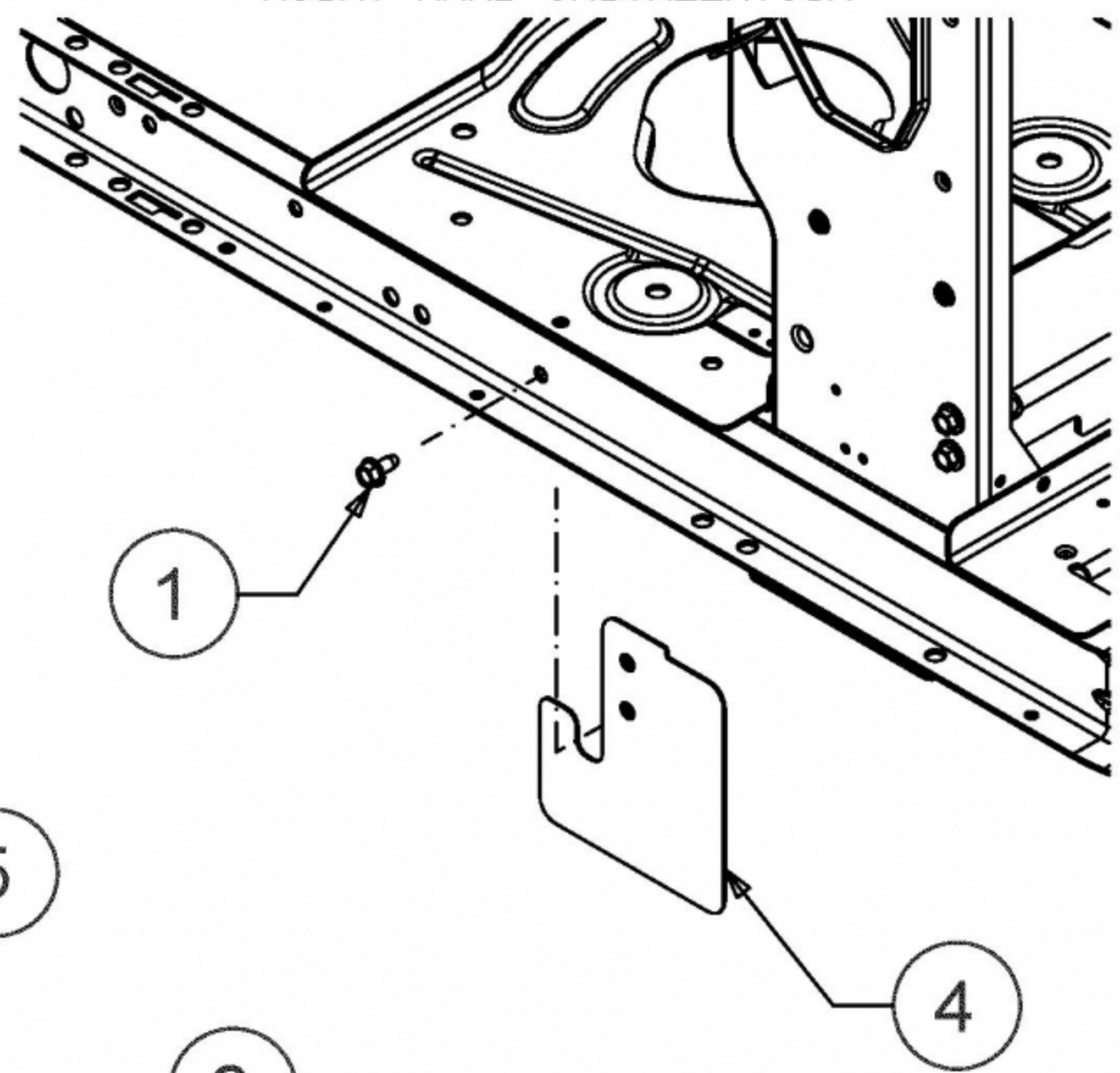


RIGHT HAND INSTALLATION



LEFT HAND INSTALLATION

